

E4-WM5-Y407A00

MOUNTING INSTRUCTION



IMPORTANT! READ THIS FIRST!

Installation of shock absorbers requires special tools and expert knowledge. Accordingly, installation of all BILSTEIN products must be performed by a qualified suspension specialist.

When replacing other brands, BILSTEIN shock absorbers should always be installed as a set. All BILSTEIN products must only be used for the specific, intended application as indicated in the application guide. **Any use of any BILSTEIN product other than for its intended use may result in serious bodily injury or death.**

Always use a chassis hoist for the installation of BILSTEIN products and make certain that the raised vehicle is securely attached to the hoist and/or supported to prevent the vehicle from slipping, falling, or moving during the installation process.

If you choose to install any BILSTEIN product without the necessary special tools, expertise or chassis hoist, you may subject yourself to the risk of serious bodily injury or death. If you elect not to use a chassis hoist, at least make sure the vehicle is on level ground, that all tires on the ground during installation are blocked to prevent movement, that at least two tires are on the ground at all times, and that adequately secured safety stands (jack stands) are used to support the chassis. **NEVER** get under the vehicle until you have checked to make sure all of these steps are performed.

BILSTEIN suspension products are gas-filled and are highly pressurized.

- Never place any BILSTEIN product in a vise or use a clamp on any BILSTEIN product.
- Never apply heat near any BILSTEIN product.
- Never attempt to open or repair any BILSTEIN product, in order to prevent **serious bodily injury or death.**

Any attempt to misuse, misapply, modify, or tamper with any BILSTEIN suspension product voids any warranty and **may result in serious bodily injury or death.**

While installing any BILSTEIN product:

- Do not use impact tools for loosening or tightening fasteners, because this may destroy the screw threads.
- Self-locking fasteners must only be used **once!**
- Reuse original equipment components only if they are in good condition, otherwise replace them with new components.
- Never remove the slight film of oil on the piston rod and seal.
- All mounting fasteners for shocks and struts must be securely tightened before the vehicle is operated.

After installing any BILSTEIN product:

- The suspension caster and camber must be checked and/or adjusted to comply with the vehicle manufacturer's specifications.
- The (load dependent) brake compensator and the anti-lock brake system must be checked and/or reset to comply with the vehicle manufacturer's specifications.
- The headlight aim must be checked and adjusted.

Be sure to properly dispose of all old parts.

E4-WM5-Y407A00

MOUNTING INSTRUCTION



BILSTEIN 5160 Series Reservoir Shock Absorbers are designed to fit your vehicle's original shock mounts with no modifications. With the exception of reservoir mounting, the 5160 Series shocks are installed in the same manner as a standard replacement shock.

Note: For some vehicles, the shocks and hardware depicted herein may differ slightly in appearance from the supplied components.

In order to complete the installation, the following tools in addition to common hand tools will be required:

- Drill
- Size 7 drill bit (.201")
- 1/4"-20 tap and tap wrench
- Centerpunch and/or marker
- Tape measure

Front Shock Installation Procedure:

- Remove the existing front shocks from the vehicle following all procedures in the vehicle manufacturer's service manual.
- Install the front shock in the original location and attach the lower mount. Do not fully tighten at this time.
- Using the supplied hardware, install the upper mount. Please refer to Figure 1 for the proper order of installation of the upper mount hardware. Make sure that the hose fitting on the shock is facing outward.
- If a chassis hoist has been used, be sure to lower the vehicle such that its full weight is on the suspension prior to fully tightening the fasteners.
- Tighten the upper and lower mount fasteners to the vehicle manufacturer's service manual torque specifications.

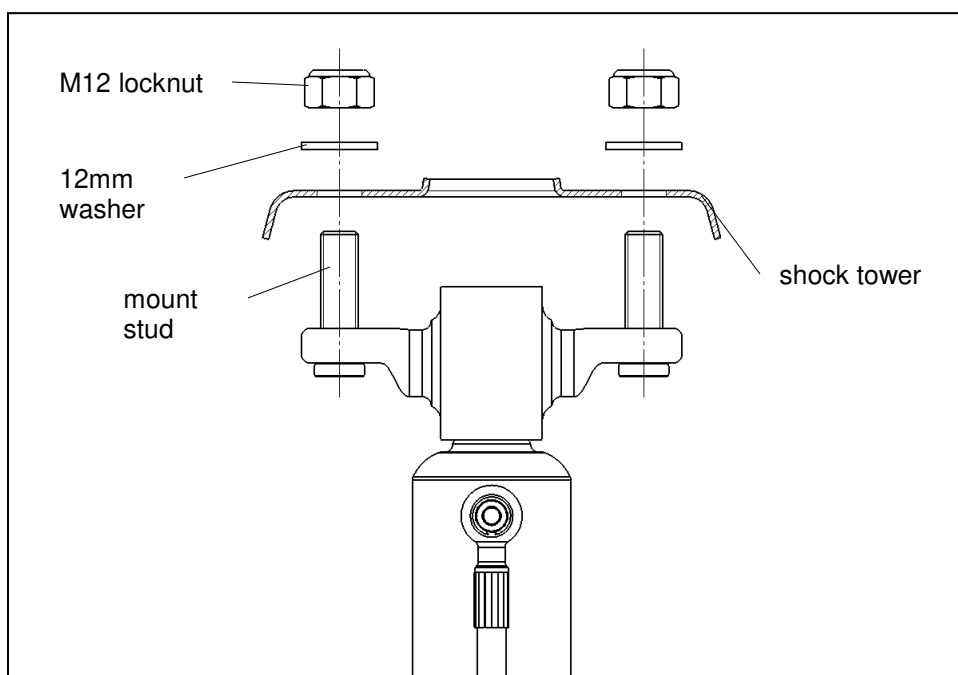


Figure 1

E4-WM5-Y407A00 MOUNTING INSTRUCTION



Reservoir Bracket Installation Procedure:

- A. The front reservoir brackets are recommended to be installed on the bumpstop tower on the frame. Each front shock includes a bracket kit.
- B. Each bracket kit includes two 1/4"-20 screws and two split washers. The bumpstop tower must be drilled and tapped in order to install the screws.
- C. Figure 2 depicts the recommended locations of the bracket mount holes for 2011-2019 model years. Figure 3 depicts the recommended locations of the bracket mount holes for 2020 and newer model years. The driver side is shown.

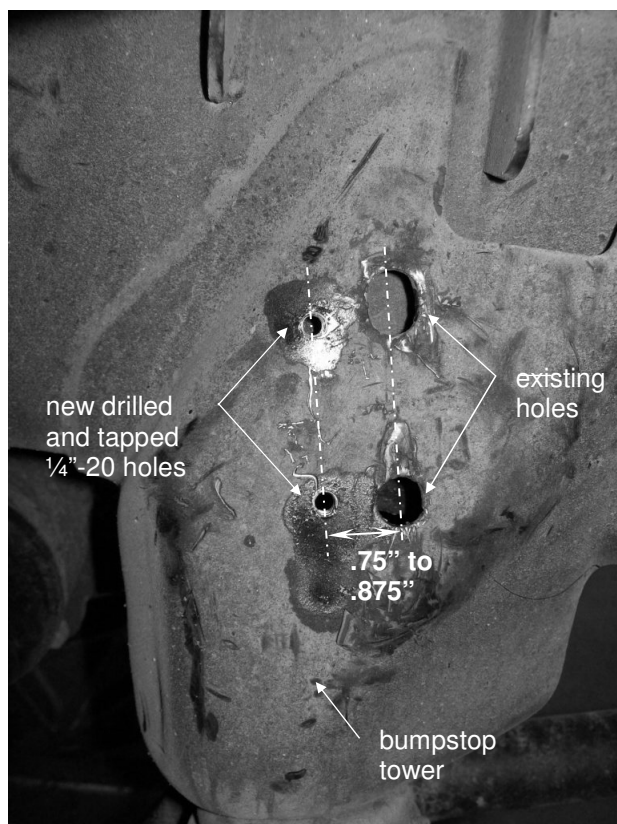


Figure 2 – 2011-2019 Model Years

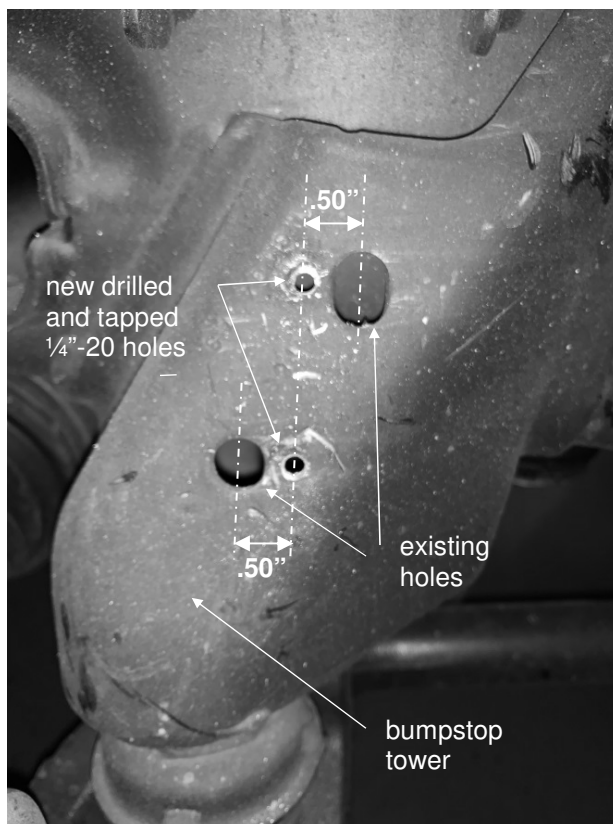


Figure 3 – 2020+ Model Years

- D. For 2011-2019 model years: Mark or scribe the side of the bumpstop tower with a line approximately .75" to .875" forward of the centerline of the two existing holes.
For 2020 and newer model years: Mark or scribe the side of the bumpstop tower with a line approximately .50" between the upper and lower holes as depicted in Figure 3.
- E. Place the bracket against the bumpstop tower with the concave side of the bracket facing outward and with the holes on center with the marked line. Adjust the bracket position such that the lower hole in the bracket is about the same height as the existing lower hole in the bumpstop tower
- F. Using the bracket as a template, mark the two hole locations with the marker and/or centerpunch.
Note: The hole centers in the bracket are exactly 45mm (1.77") apart and are slightly oversize to allow for some imperfection in the new hole spacing on the frame.
- G. Using the size 7 drill bit, drill a hole in side of the bumpstop tower at each of the points marked. It is recommended to drill a smaller pilot hole first to prevent the larger bit from wandering. Be sure to

E4-WM5-Y407A00

MOUNTING INSTRUCTION



keep the drill bit as perpendicular as possible to the side of the bumpstop tower. It is also recommended to use cutting oil to drill the frame.

- H. Tap the holes using the 1/4"-20 tap. Be sure to keep the tap as perpendicular as possible to the side of the bumpstop tower. It is recommended to use cutting oil to tap the threads in the frame. Clean out the chips and oil after tapping.
- I. Using the provided 1/4"-20 screws and split washers, install the reservoir bracket onto the frame. The concave side of the bracket must face outward. It is recommended that a non-permanent thread locking compound be used on the threads.
- J. Torque both screws to 10 lb•ft (13.6 N•m). Figure 4 depicts the reservoir bracket installed.



Figure 4.
2011-2019
model year
depicted

- K. Using the provided hose clamps, slide the open bands through the thin slots on the sides of the bracket.
- L. Secure the reservoir to the bracket using the hose clamps. The hose fittings are designed to swivel to allow the reservoir and hose to be more easily positioned. Figure 5 depicts the reservoir installed.

E4-WM5-Y407A00 MOUNTING INSTRUCTION



Figure 5

- M.** Tighten the hose clamps until the reservoir cannot be manually rotated.
- N.** Carefully check for any possible interference between the reservoirs and any other components on the vehicle, then make any necessary adjustments to the reservoir positions. The reservoir mounting locations depicted herein are appropriate for most GM trucks for which this kit is intended, however, some wheel/tire and/or lift kit combinations may create interference problems. It is the responsibility of the installer to determine if the reservoirs are mounted appropriately and if there is any potential for interference.