

<THESE INSTRUCTIONS MUST BE GIVEN TO THE END USER>



B&W Trailer Hitches
 1216 Hawaii Rd / PO Box 186
 Humboldt, KS 66748
 P:620.473.3664
 F:620.869.9031

Call or Email us for
 Installation Support
 hitches@turnoverball.com
 bwtrailerhitches.com

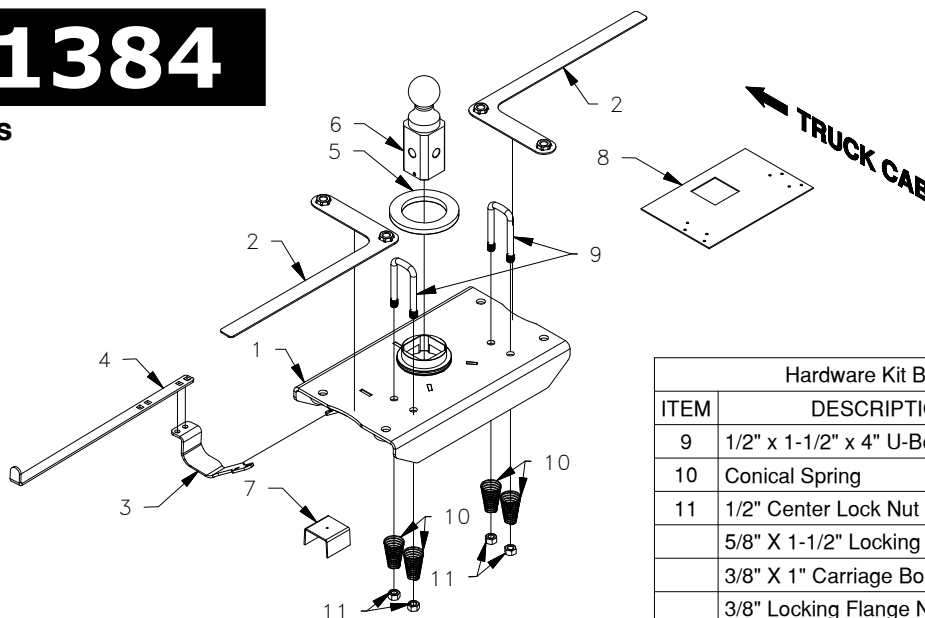
See Limited Lifetime Warranty at
bwtrailerhitches.com/warranty

Turnoverball® Gooseneck Hitch Installation Instructions

MODEL 1384

2014-2018 Ram 2500 Trucks

PARTS LIST (GNRK1384)		
ITEM	DESCRIPTION	QTY
1	Center Section	1
2	Fastener Handle	2
3	Latch Pin Handle Bracket	1
4	Latch Pin Handle	1
5	Plastic Spacer Block	1
6	2-5/16" Ball	1
7	Hole Template	1
8	Safety Chain U-bolt Guide	1



Hardware Kit Bolt Bag		
ITEM	DESCRIPTION	QTY
9	1/2" x 1-1/2" x 4" U-Bolt	2
10	Conical Spring	4
11	1/2" Center Lock Nut	4
	5/8" X 1-1/2" Locking Cap Screw	4
	3/8" X 1" Carriage Bolt	4
	3/8" Locking Flange Nut	4

ATTENTION: If you intend to use an 18K Companion 5th Wheel RV Hitch model 3000 in conjunction with this hitch, an adapter kit is needed to fill voids in the truck bed rib pattern. Call B&W at 800-248-6564 for a kit that will adapt the hitch to the truck bed, or upgrade to a hitch base that will not require the adapter kit (models 3500, 3400, or 3405). Using the model 3000 without the adapter kit could result in damage to the truck bed. B&W recommends placing the coupler of the Companion 5th Wheel Hitch as close to the cab as possible while still maintaining adequate turning clearance between the truck and trailer.

⚠️ WARNING

Failure to comply with the safety information in these instructions could result in serious injury or death.

- ⚠️ Read all installation and operating instructions along with all labels before using this product.
- ⚠️ Adding components such as a Turnoverball hitch to the chassis of any vehicle can be hazardous. There is potential for unexpected combustion of fuel, electric shock, burns, shifting or falling of unstable vehicle, damage to vehicle, injury from tool usage and many other hazards. This installation must be completed by someone who is aware of the hazards involved. This person must be knowledgeable of proper safety procedures for a vehicle modification of this nature, and for usage of the equipment required to perform the installation.
- ⚠️ Without proper knowledge, towing can be a dangerous activity. Understand all the risks involved with towing before proceeding. For information on towing safety, see "**The Trailer Handbook: A Guide to Understanding Trailer and Towing Safety**" from the National Association of Trailer Manufacturers, www.NATM.com and your trailer manufacturer's owner's manual.
- ⚠️ Do not exceed tow or tongue rating of coupler, tow or tongue rating of hitch, or tow or weight ratings of truck or trailer. See vehicle and trailer manufacturer information for ratings. Exceeding these ratings may cause damage to towing components or loss of attachment between the trailer and truck.
- ⚠️ Do not modify this product in any manner. Doing so could alter its integrity and lead to a loss of attachment between the trailer and the tow vehicle.
- ⚠️ Additional caution must be used when towing a wedge car trailer. Towing stability greatly depends on keeping the center of gravity as low as possible. Load heavy cars over the axles. Never tow with a single car on the front of the trailer. When towing a wedge car trailer, never exceed speeds that are reasonable for the roadway conditions (e.g. turns, going around a curve, etc.). Failure to account for proper trailer center of gravity and speeds that are reasonable for the roadway conditions may cause damage to the truck, trailer, towing components, and loss of attachment between the truck and trailer.
- ⚠️ This product was designed to fit vehicles in their original, "as manufactured" condition. Compatibility with vehicles having replacement parts, or other modifications is not guaranteed. Inspect vehicle for modifications before installation of this product.
- ⚠️ The Turnoverball hitch comes equipped with a 2-5/16" ball. Trailers towed with the ball provided must have a 2-5/16" coupler. Towing with a larger coupler could cause loss of attachment between the trailer and the tow vehicle.
- ⚠️ A visual inspection of the hitch should be performed before each time you tow. Regularly check that all pinned connections are secure, and that all bolted connections are at the correct torque specification. Check for cracks or damage to the hitch. Do not tow with the hitch if cracks or damage outside of normal wear is found. Towing with a hitch that has cracks or damage could result in damage to the tow vehicle, trailer, towing components and loss of attachment between the tow vehicle and trailer.

PREPARE TO INSTALL

NOTICE: In some instances, the ball should **NOT** be turned over and stowed in the socket. Doing so could cause damage to the truck's suspension. If the truck's suspension has a stabilizer between the top of the differential housing and the frame as shown in Figure A1, the stowed ball could hit the member, damaging the truck's suspension.

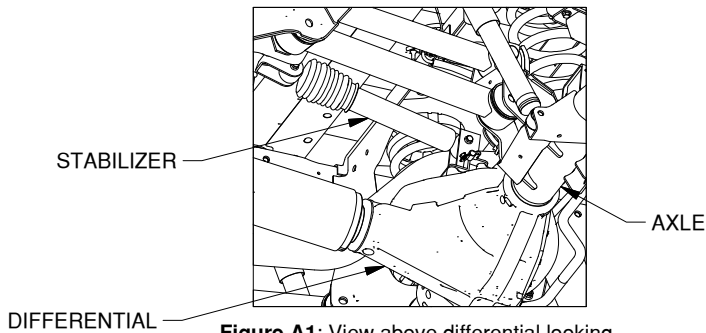


Figure A1: View above differential looking from in front of the driver side rear tire.

NOTE: Remove all parts from the packaging and familiarize yourself with all the parts and tools required. Use the parts list on the front page to verify that all parts and hardware are present.

TOOLS REQUIRED

- Impact wrench or ratchet with 10mm, 9/16", 3/4" & 15/16" sockets.
- Marking tool (pencil or permanent marker)
- 3-1/2" hole saw
- Drill with 9/16" & 1/4" bits
- Ear protection
- Lifting device
- Tape measure
- Pry Bar
- Flashlight
- Eye protection
- Torque wrench
- Center punch
- Soap and water

1. **Determine cab clearance:** Under the truck bed, measure from the rear most edge of the C-channel frame cross member (over the axle) to the end of the bed, see Figure A2, Length A. Next, inside the bed, measure the length of the bed from the rear edge to the front, see Figure A2, Length B. Subtract the cross member measurement (Length A) from the bed measurement (Length B). Then subtract an additional 8-1/4" inches. This will give you the amount of clearance you have between the 2-5/16" ball location and the cab. Measure the distance from the center of the trailer's coupler to the farthest forward corner point of the trailer. Compare this distance to the measurement from the center of the ball to the cab. These measurements will allow you to see how much clearance you will have between the cab and the trailer while towing and turning, see Figure A3.

WARNING: Cab clearance on short bed trucks is very limited when towing certain trailers. Failure to insure that there will be adequate clearance, may result in significant property damage, or serious injury.

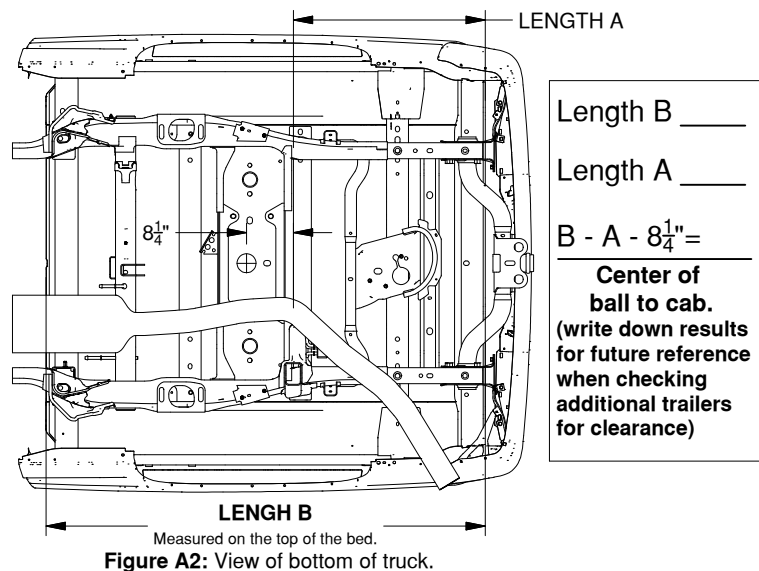


Figure A2: View of bottom of truck.

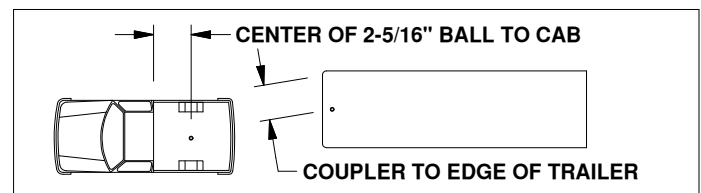


Figure A3: Truck and trailer diagram

2. **Remove the spare tire (optional).** Following the vehicle manufacturer's instructions, remove the spare tire. This will provide easier access to the area where the hitch will be installed.
3. **Remove the heat shield (optional):** Remove the bolts connecting the heat shield to the frame and set the heat shield aside for later installation.
4. **Position the vehicle.** Installation of the hitch requires the installer to be under the truck bed in the area of the rear axle. Lifting the vehicle makes this area more accessible to the installer, and improves the installation process.

WARNING: Lift vehicle using only equipment designed for lifting and positioning vehicles for service. Failure to do so may result in property damage, serious injury, or death.

5. **Prepare a lifting device (optional).** The purpose of the device is to safely hold the hitch in position during part of the installation. See Figure A4 for an example. A simple mechanical lifting device is available for purchase from B&W.

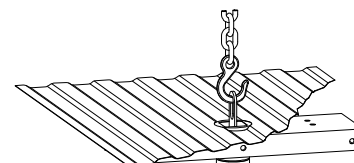


Figure A4

6. **Remove or modify fender liners as needed.**

Some vehicles are equipped with various designs of plastic liners inside the rear wheel wells. If the liner in the driver side wheel well prevents access to the opening between the bed and the frame, just over the axle, it may need to be removed or cut to install the handle.

7. **Disconnect the exhaust hanger: (optional, see secure hitch section step 3)** Locate the exhaust hanger in the rear passenger portion of the truck, see Figure A5. Disconnect the exhaust from the hanger to provide improved mounting access to the center section. It is recommended that a pry bar be used to aid in disconnecting the exhaust hanger, as shown in Figure A5.

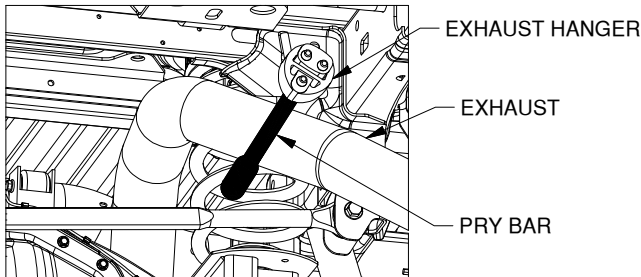


Figure A5: looking under truck bed towards cab.

8. **Mark the location of the 3-1/2" hole.** Insert the hole template into the center hole of the frame cross member as shown in Figure A6. Push the template upward until it is flush against the bottom of the bed floor. Make a mark on the truck bed floor through the hole in the hole template using a pencil, marker, or other tool. Once the center point is marked, remove the template. Use a center punch to place an indentation in the truck bed at the center of the mark. Using a drill and a 1/4" bit, drill a pilot hole through the bed in this location.

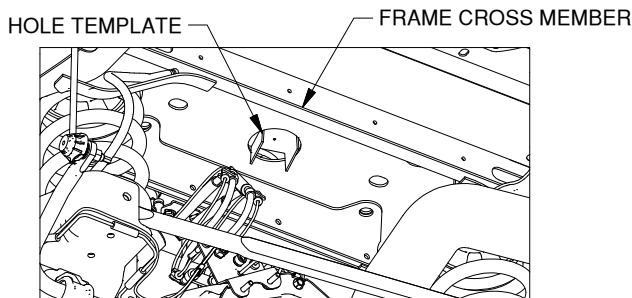


Figure A6: looking under truck bed towards cab.

9. **Cut the 3-1/2" diameter hole.** From the top side of the bed, use the pilot hole and a hole saw to create a 3-1/2" diameter hole in the truck bed floor. A saber saw equipped with a metal cutting blade may also be used if the 3-1/2" diameter circle is laid out on the bed floor around the center of the pilot hole. Remove any burrs created while cutting the hole. The size of the round portion of the hitch that will be seen from the truck bed was determined by the size of the hole in the truck's frame. The closest nominal hole size to this feature is 3-1/2". The 3-1/2" hole will leave a gap around the hitch structure. This gap will be filled in by the plastic spacer block.

INSTALL CENTER SECTION

CAUTION: Turnoverball hitch components are heavy and may be cumbersome to handle. Failure to use proper lifting techniques and caution when handling these items could result in serious injury.

WARNING: Most trucks have fuel lines, brake lines, electrical wires or other vehicle systems located along the frame rails or in the general area where B&W Turnoverball hitches install. Carefully examine the locations of these systems before installation. Make certain that these are not damaged during positioning hitch components, drilling holes, or tightening fasteners. Damage to these systems may result in property damage, serious injury, or death.

1. **Place spacer block.** Position the plastic spacer block between the frame cross member and the bed as shown. See Figure B1. Center the hole in the spacer block over the hole in the frame.

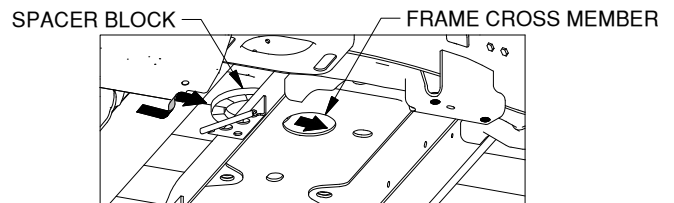


Figure B1: Looking up at bed from forward of the driver side tire.

2. **Install fastener handles:** Place the fastener handles, see Figure B2, between the frame cross member and the bed, see Figure B3. Use the handle to guide the welded nuts into place. Make sure that the two nuts are directly over the holes in the frame, see Figure B4.

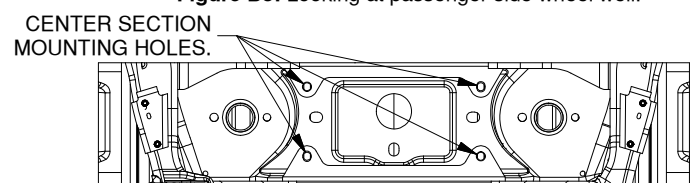
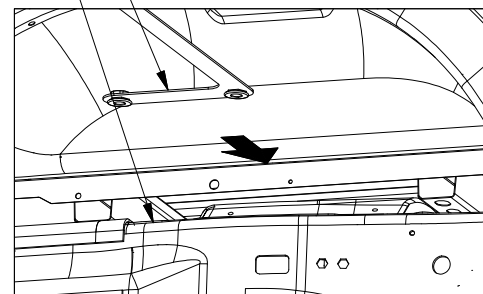
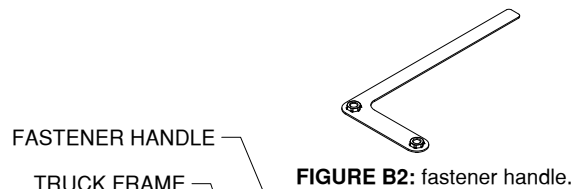


Figure B4: Looking up at frame cross member under truck

3. **Install the center section.** With the latch pin mechanism on the drivers side, raise the center section into place as shown, see Figure B5. In order to clear structures under the truck bed, the center will have to be lifted into place on an angle over the exhaust, then positioned directly under the frame cross member so that the raised portion of the center can be pushed straight up through the hole in the frame cross member, and through the hole in the plastic spacer block. Having assistance in the bed to guide the top of the center section is recommended. Line the 4 holes in the center section up with the frame holes and the holes in the fastener handles. Thread a 5/8" flange head bolt into each hole.

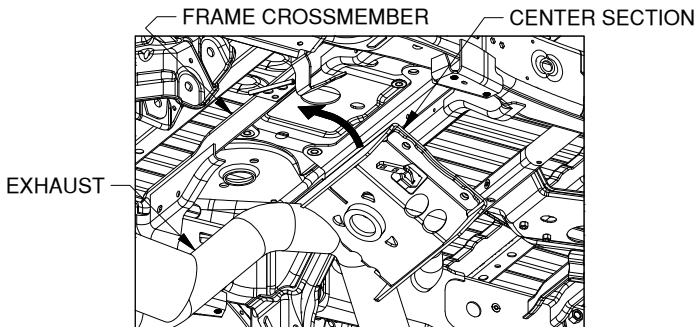


Figure B5: Looking up at the bed from foward of driver side tire.

SECURE HITCH

1. **Square the hitch.** Using a tape measure, be sure that the full length of the gooseneck hitch is centered within the channel of the frame cross member. Do this by making sure that the gap between the center section and the frame cross member is the same on the driver and passenger sides. The hitch must not be touching the brake lines that are anchored to the frame cross member.
2. **Tighten the 5/8" bolts.** With the hitch square and firmly pressed against the frame cross member, tighten the 5/8" bolts. To better access the bolts on the passenger side of the center section the exhaust may be lowerd to allow access to the bolts, see *preparing to install* section step 7. Torque the bolts to 150 ft. lbs.
3. **Disengage lifting device.** If a lifting device was used to hold the center section in place during the installation, remove it at this time.

INSTALL LATCH PIN HANDLE

1. **Assemble the handle.** Locate the latch pin handle and the latch pin handle bracket. Assemble the pieces of the handle with two 3/8" carriage bolts and 3/8" locking flange nuts, making sure that the edge of the handle is in line with the edge of the bracket, see Figure D1. Torque the nuts to 30 ft. lbs.

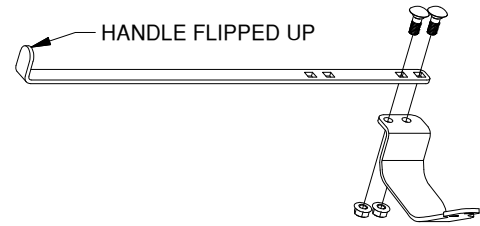


Figure D1: Latch handle assembly configurations.

2. **Install bolts.** Retract the latching mechanism by pulling on the tab with the square holes and pushing it toward the cab. From the top down, insert a 3/8" carriage bolt in each of the square holes in the latching mechanism, see Figure D2.

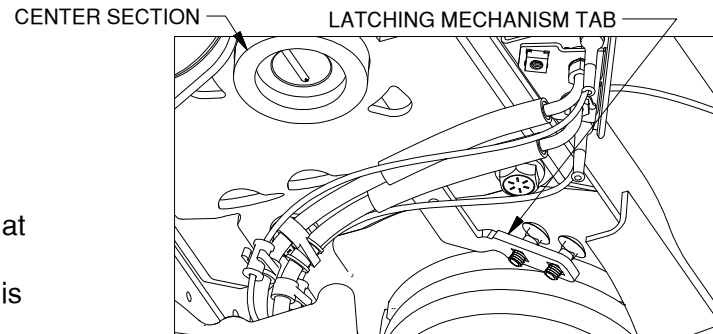


Figure D2: Looking up at center section

- CAUTION:** Serious injury can occur due to the pinch point located at the intersection of the latching mechanism and the center section.
3. **Install the latch pin handle.** Beginning under the vehicle, "thread" the end of the handle in front of the brake lines and over the frame on the driver side. Attach the handle to the latching mechanism over the 3/8" carriage bolts with two 3/8" locking flange nuts, see Figure D3. Be sure that the handle is in the proper position and that it does not interfere with any other components of the vehicle. Torque the nuts to 30 ft. lbs. to secure the handle.

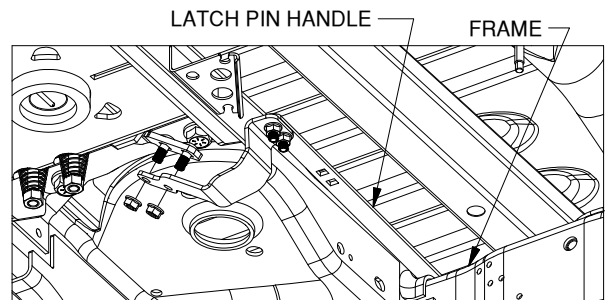


Figure D3: Looking back at driver side of center section.

NOTICE: The latch handle must be positioned on the "cab side" of the brake lines directly over the axle.

INSTALL SAFETY CHAIN U-BOLTS

1. **Drill the holes.** Use the Safety Chain U-bolt Guide to mark the four 1384 hole locations in the truck bed. From the top of the bed drill each hole with a 1/2" drill bit. A small pilot hole will aid in drilling through the bed and cross member. Be sure to drill the holes perpendicular to the surface of the bed. It is possible to drill the holes from under the bed if necessary.
2. **Install the U-bolts.** From the top side of the truck bed, drop a U-bolt in each set of holes.
3. **Add springs.** Place a conical spring over each leg of the U-bolts and secure with a 1/2" lock nut, see Figure E1. Tighten the lock nut until the nut is flush with the end of the U-bolt.

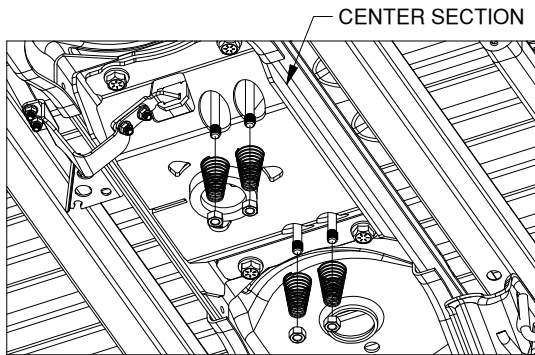


Figure E1: View looking up at center section.

INSTALL FRAME STICKER

1. **Place handle sticker.** Locate the latch handle sticker provided with your instruction packet. Apply the sticker to the frame in the driver side wheel well. Align the left edge of the sticker with the latch handle and top and bottom edges of the sticker with the frame.

PREPARE FOR TOWING

1. **Re-attach exhaust bracket.** If the exhaust was un-attached, Pull the exhaust back up to the exhaust bracket and re-attach. We recommend using soap and water to lubricate the "pin" and the rubber hanger which attach the exhaust hanger to aid in re-attachment.
2. **Replace spare tire and heat shield.** If the spare tire and/or the heat shield was removed prior to installing the hitch, replace it at this time.
3. **Modify fender liner.** If a fender liner is present that restricts the movement of the handle, it is recommended that it be modified by cutting a relief slot or hole to allow the handle to move freely. If the liner was removed for installation, reinstall at this time.
4. **Retract the pin.** Pull the handle out all the way until it stops then slide it toward the cab. The handle should stay in this position. The latch should only be put in this open position when inverting the 2-5/16" ball or installing a B&W towing accessory.

WARNING: Operating the tow vehicle while the latch is in the open position may allow the handle to come into contact with the rear tire. This may damage the tire or the handle and could lead to serious injury or death.

5. **Lubricate 2-5/16" ball.** Apply a light coating of grease to the corners on the square shank of the 2-5/16" ball. Re-apply lubricant as often as needed during use.
6. **Check latch pin engagement.** When installed properly, the latch pin mechanism should pass through both sides of the ball socket. With the ball removed, push handle toward the rear of the truck until the handle retracts and the latch pin engages. Visually inspect the ball socket and check to be sure the latch pin has passed completely through the socket. Make a mark on the latching mechanism where indicated in Figure G1 to show where the latching mechanism should be when the pin is correctly positioned in the ball socket. Retract the pin, replace the ball, and re-engage the pin. Check the marked location on the latching mechanism. If the mark is in the same location as when the mark was made, then the latch pin has gone completely through the ball socket.

WARNING: Failure of the pin to engage the ball and hitch properly could result in a loss of attachment between the trailer and the tow vehicle

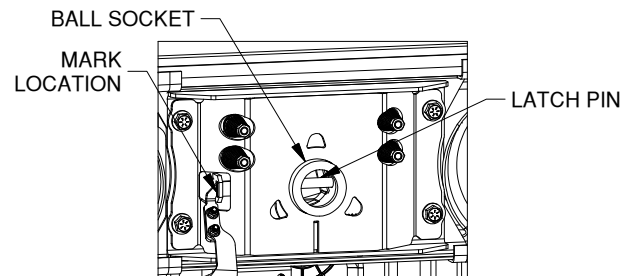


Figure G1: View under bed looking up at center section.

- WARNING:** Inverting the ball while hauling heavy loads may cause the ball to strike the truck's differential, drive line, or other components. Inspect the relationship between the ball and truck components to ensure the proper clearance. Failure to remove the ball when hauling heavy loads may result in property damage, injury or death. A cover to prevent debris from entering the socket while operating without the ball in place is available from B&W.
7. Re-read all warnings on front page of these instructions. If you are not the end user, make sure that users of this product receive a copy of these instructions.