

# <THESE INSTRUCTIONS MUST BE GIVEN TO THE END USER>



## B&W Trailer Hitches

1216 Hawaii Rd / PO Box 186  
Humboldt, KS 66748  
P: 620.473.3664  
F: 620.869.9031

Call or Email us for  
Installation Support  
hitches@turnoverball.com  
bwtrailerhitches.com

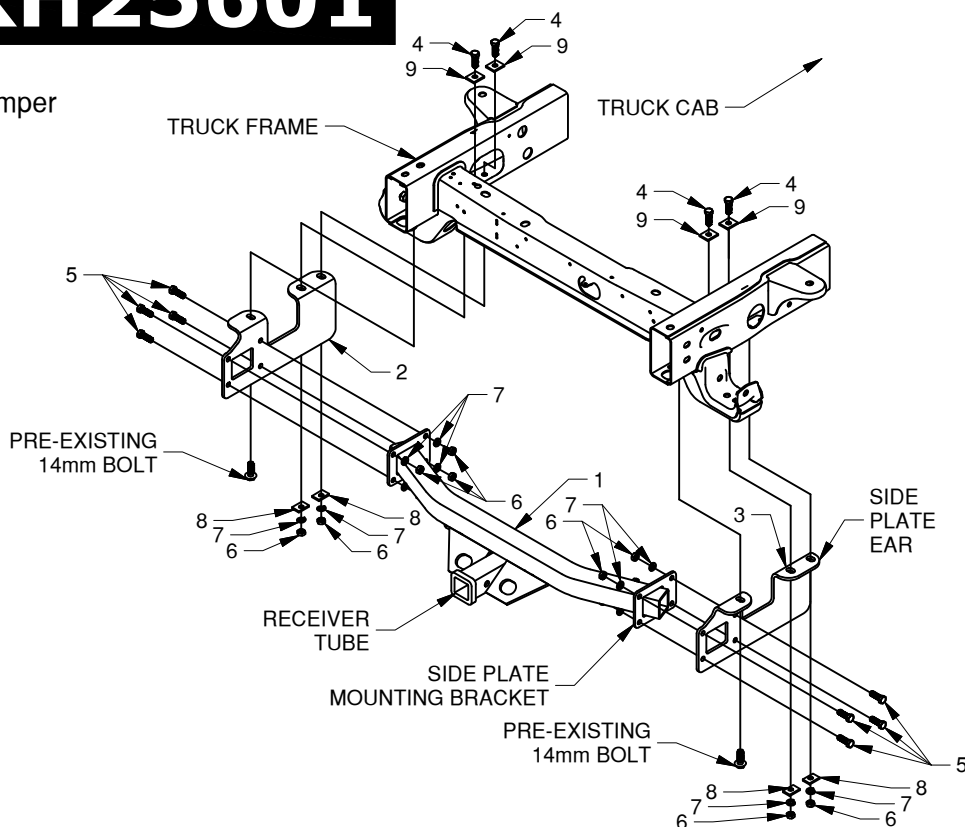
See Limited Lifetime Warranty at  
[bwtrailerhitches.com/warranty](http://bwtrailerhitches.com/warranty)

## 16K Heavy Duty Receiver Hitch Installation Instructions

# MODEL HDRH25601

2011-2019 Chevrolet & GMC 2500 & 3500  
Heavy Duty Short Bed Trucks with Factory Bumper

PARTS LIST		
QTY	DESCRIPTION	QTY
1	Hitch Center Section	1
2	Driver Side Plate	1
3	Passenger Side Plate	1
4	1/2" X 2" Hex Head Cap Screw	4
5	1/2" X 1-1/2" Hex Head Cap Screw	8
6	1/2" Hex Finish Nut	12
7	1/2" Split Lock Washer	12
8	Spacer 3/16" X 1 X 1-1/2"	4
9	Spacer 3/16" X 1-1/4" X 1-1/2"	4



### ⚠️ WARNING

Failure to comply with the safety information in these instructions could result in serious injury or death.

- ⚠️ Read all installation and operating instructions along with all labels before using this product.
- ⚠️ Adding components to the chassis of any vehicle can be hazardous. There is potential for unexpected combustion of fuel, electric shock, burns, shifting or falling of unstable vehicle, damage to vehicle, injury from tool usage and many other hazards. This installation must be completed by someone who is aware of the hazards involved. This person must be knowledgeable of proper safety procedures for a vehicle modification of this nature, and for usage of the equipment required to perform the installation.
- ⚠️ Without proper knowledge, towing can be a dangerous activity. Understand all the risks involved with towing before proceeding. For information on towing safety, see **"The Trailer Handbook: A Guide to Understanding Trailer and Towing Safety"** from the National Association of Trailer Manufacturers, [www.NATM.com](http://www.NATM.com) and your trailer manufacturer's owner's manual.
- ⚠️ Do not exceed tow or tongue rating of coupler, tow or tongue rating of hitch, or tow or weight ratings of truck or trailer. See vehicle and trailer manufacturer information for ratings. Exceeding these ratings may cause damage to towing components or loss of attachment between the trailer and truck.
- ⚠️ Additional caution must be used when towing a wedge car trailer. Towing stability greatly depends on keeping the center of gravity as low as possible. Load heavy cars over the axles. Never tow with a single car on the front of the trailer. When towing a wedge car trailer, never exceed speeds that are reasonable for the roadway conditions (e.g. turns, going around a curve, etc.). Failure to account for proper trailer center of gravity and speeds that are reasonable for the roadway conditions may cause damage to the truck, trailer, towing components, and loss of attachment between the truck and trailer.
- ⚠️ This product was designed to fit vehicles in their original, "as manufactured" condition. Compatibility with vehicles having replacement parts, or other modifications is not guaranteed. Inspect vehicle for modifications before installation of this product.
- ⚠️ Always use safety chains while towing. Crossing the safety chains under the tongue of trailer may prevent some damage to the trailer if detachment occurs.
- ⚠️ Do not modify this product in any manner. Doing so could alter its integrity and lead to a loss of attachment between the trailer and the tow vehicle.
- ⚠️ Periodically inspect hitch, making sure that all fasteners are tightly secured.

# PREPARING TO INSTALL

**NOTE:** Remove all parts from the packaging and familiarize yourself with all the parts and tools required. Use the parts list on the front page to verify that all parts and hardware are present.

1. Installation requires several common tools and a few specialized tools. Below is a listing of equipment used during a typical installation.

## **TOOLS REQUIRED**

- Impact wrench or ratchet with 3/4", and 21mm sockets.
  - 3/4" Box end wrench
  - Flat head screwdriver (optional)
  - Eye & Ear protection
  - Torque wrench capable of tightening to 80 ft-lbs
2. **Remove spare tire.** To provide easier access to the frame, some truck models will require the removal of the spare tire for installation.  
  
**NOTE:** This receiver hitch may require slight modification to, or relocation of, vehicle systems or components so that the hitch may be installed in the proper location. It is very important to make sure that you have the correct hitch for your application before any modifications to the vehicle are made.
  3. **Check for obstructions.** The side plates of this hitch must mount against the bottom of the frame. Any brackets or accessories not critical to the structure of the vehicle that are mounted to the bottom of the frame in the installation area may need to be removed. See the steps on positioning and mounting the hitch for the hitch location to see if there will be any interference.
  4. **Remove existing hardware.** Remove the 14mm bolts from the rear of the frame as shown in the main diagram. The bolts will be used for installing the hitch. Any brackets or accessories not critical to the structure of the vehicle that are mounted to the bottom of the frame at the rear may need to be removed. See the steps on positioning and mounting the hitch for the hitch location to see if there will be any interference. Bumper reinforcement brackets can be removed if the bumper will not be used for towing.

# HITCH ASSEMBLY

1. **Assemble the hitch.** Refer to the front page for assembly diagram. using the 1/2" x 1-1/2" long bolts, lock washers and nuts. Attach the side plates to the hitch center section with the "ears" of the side plates toward the outside as shown in the main diagram. Do not fully tighten the hardware at this time.

# INSTALL HITCH

1. **Position and mount the hitch.** Maneuver the hitch under the frame as shown in the main diagram. Align the slots in the rear most side plate ears with the holes where the 14mm bolts were previously. Secure the hitch into place by reinstalling the 14mm bolts. Make sure that the hitch is centered between the frame rails of the vehicle and that the receiver tube is parallel to the centerline of the truck.
2. **Install hardware.** Install hardware as shown in the main diagram, fastening the hitch to the frame. Be sure to place each spacer in its proper location as shown on the main diagram.
3. **Tighten hardware.** Tighten the hardware on the connections between the frame and the side plates first. Torque the 1/2" bolts to 80 foot pounds and the 14mm bolts to 135 foot pounds. Next make sure that the edges of the side plate mounting brackets on the center section match up with the bottom and rearward edges of the side plates and tighten these connections. Torque these bolts to 80 foot pounds as well.
4. **Replace the spare tire.** If needed, replace the spare tire. Some truck models will require the spare tire to be pushed toward the cab while being raised into position to allow clearance for the receiver hitch.