



**B&W Trailer Hitches**  
 1216 Hawaii Rd / PO Box 186  
 Humboldt, KS 66748  
 P: 620.473.3664  
 F: 620.473.3766

# 5th Wheel Head Leveling Kit Installation Instructions

Call or Email us for Installation Support [hitches@turnoverball.com](mailto:hitches@turnoverball.com) [www.bwtrailerhitches.com](http://www.bwtrailerhitches.com)

## Model RVXA3110

This kit is designed to rotate the coupler head towards the rear of the truck.

PARTS LIST		
ITEM	DESCRIPTION	QTY
1	Mounting Clip	1
2	Wire Torsion Spring	1
3	1/4" Nylon Lock Nut	1
4	1/4" X 1/2" Cap Screw	1

### INSTALL LEVELING KIT

- Clip assembly.** Assemble the 1/4" cap screw, mounting clip, spring and 1/4" lock nut as shown in figure A1 and A2. Tighten the lock nut just enough that the spring will stay in place but can also be adjusted if needed.
- Install the clip assembly.** Remove the 5th Wheel head and saddle from the base. Next, locate the driver side Arm and the flange closest to the truck cab, see diagram A3. The clip should be placed so that when the spring's coil is centered in line with the edge of the arm there is 1/2" of clearance between the bottom of the rubber bumper and the top of the spring, see figure A4. Drive the clip securely onto the flange with a hammer. Replace the head and Saddle.

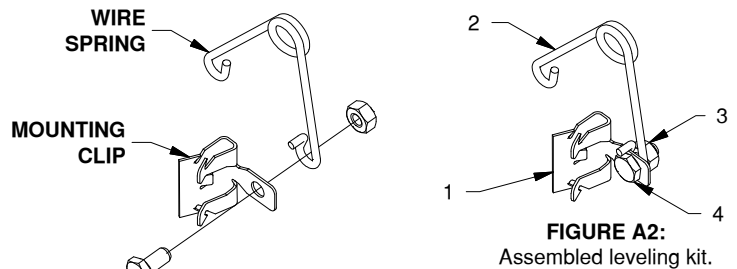


FIGURE A1:  
Leveling kit parts.

FIGURE A2:  
Assembled leveling kit.

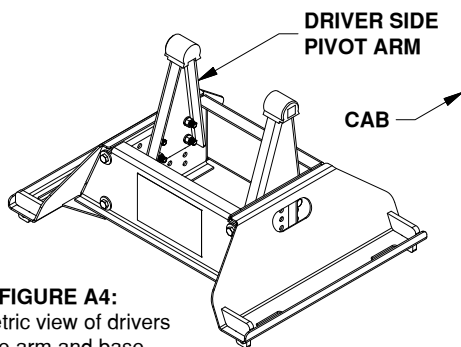


FIGURE A4:  
Isometric view of drivers side arm and base (Patriot base shown).

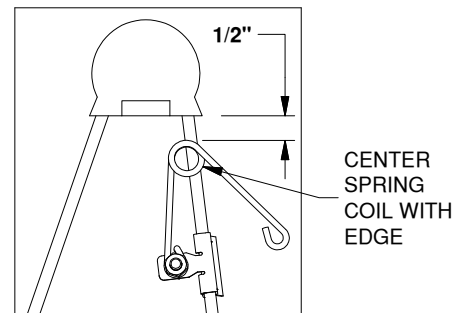


FIGURE A3:  
Driver side pivot arm.

- Adjust and tighten the spring.** By rotating the spring on the clip, the orientation of the top surface of the coupler can be set. (To increase the rotational force on the head, rotate the coil of the spring toward the cab of the truck.) Rotate the spring to the desired angle and fully tighten the 1/4" hardware. Make sure the orientation of the spring does not interfere with the saddle latch, see figure A5.

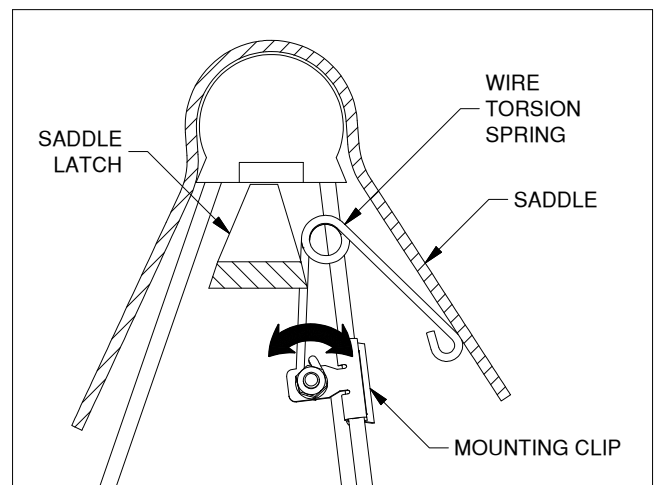


FIGURE A5:  
Cutaway view of driver side arm and saddle